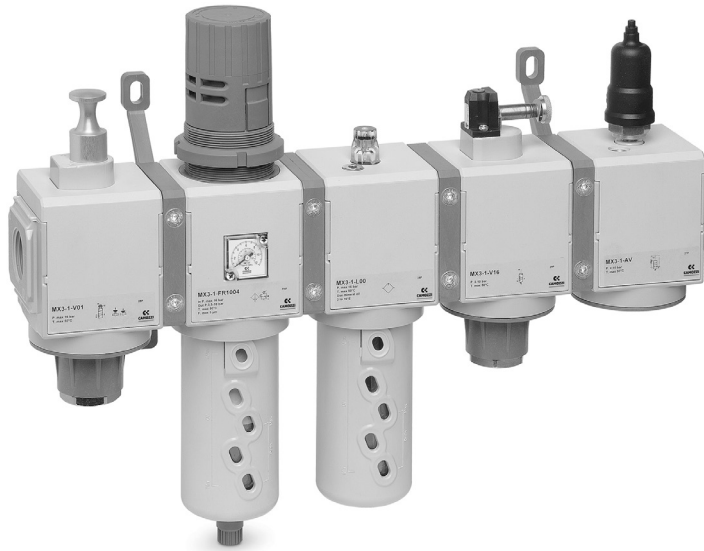


# Series MX assembled FRL

MX2 ports: G3/8, G1/2, G3/4 - MX3 ports: G3/4, G1  
Assembly through rapid clamps

SERIES MX ASSEMBLED FRL



- » Compact design
- » Dimensions optimization
- » Great reliability
- » Easy and quick maintenance
- » Reduced weight

Series MX FRL can be easily assembled through rapid clamps which allow the connection among single components creating an unlimited number of compositions. The FRL groups Series MX are also available in the already mounted version (with a single code).

The use of three different types of rapid clamps (standard, with wall fixing screws or with brackets) allows an easy mounting of the assembled groups and to carry out maintenance operations on the single components with no need to disassemble the group.

## GENERAL DATA

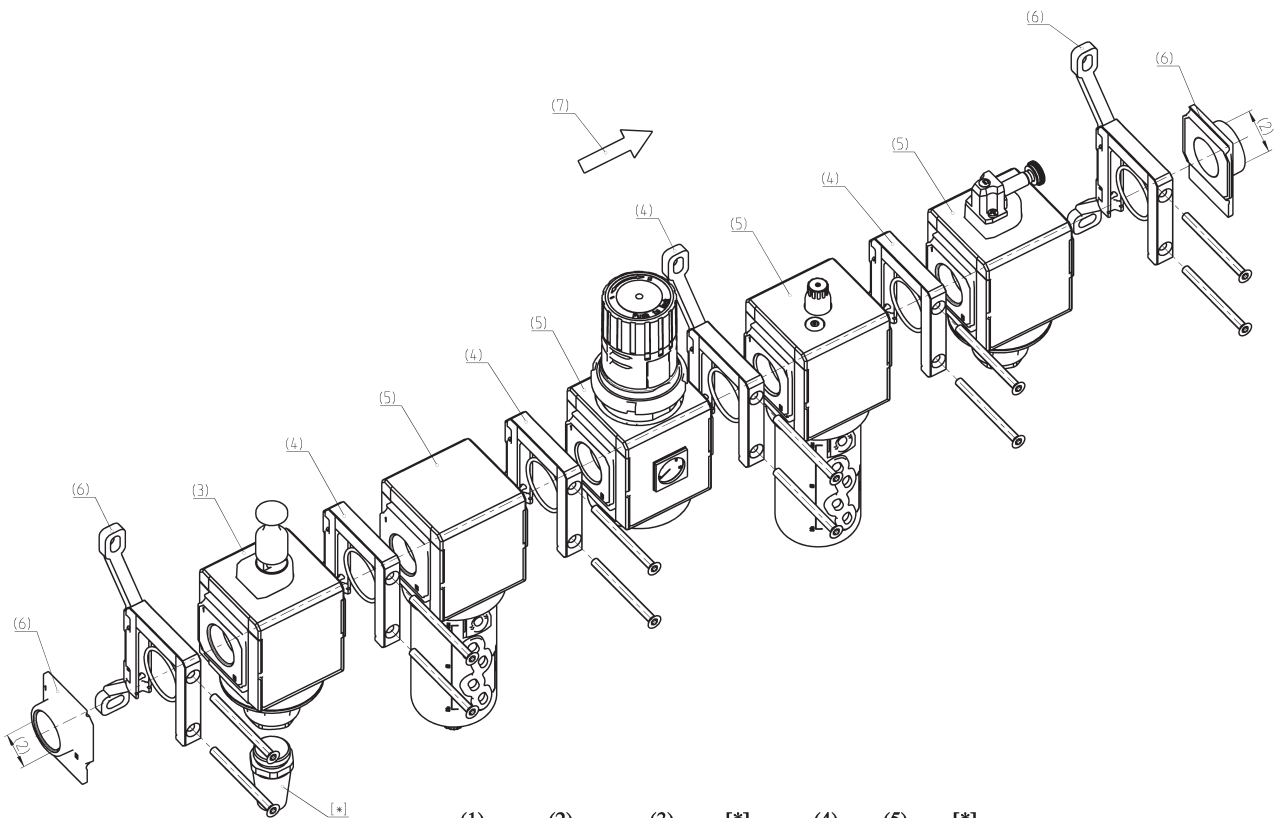
<b>Construction</b>	modular, compact
<b>Materials</b>	see catalogue pages referring to the single component
<b>Ports</b>	MX2: G3/8 - G1/2 - G3/4 MX3: G3/4 - G1
<b>Mounting</b>	vertical in-line wall-mounting (by means of clamps) panel mounting
<b>Operating temperature</b>	-5°C ÷ 50°C up to 16 bar (according to the single component characteristics) -5°C ÷ 60°C up to 10 bar (according to the single component characteristics)

### CONFIGURATION OF ASSEMBLED GROUPS SERIES MX

TO CONFIGURE THE ASSEMBLED GROUPS SERIES MX, USE THE HERE BELOW EXAMPLE AND THE RELATED LEGEND ON THE FOLLOWING PAGE.

Configuration of the assembled group in the drawing below:

MX2-3/8-V01+A32XF00XR004YL00XV16-KK



	(1)	(2)	(3)	[*]	(4)	(5)	[*]
MX	2	3/8	V01	+A32	X	F00	

$n_x$

X	R004
Y	L00

X	V16	(6)	KK	[*]	(7)
---	-----	-----	----	-----	-----

**CONFIGURATOR OF ASSEMBLED GROUPS SERIES MX**

<b>MX</b>	<b>2</b>	<b>-</b>	<b>3/8</b>	<b>-</b>	<b>V01</b>	<b>X</b>	<b>F00</b>	<b>-</b>	<b>KK</b>	<b>-</b>	<b>LH</b>
-----------	----------	----------	------------	----------	------------	----------	------------	----------	-----------	----------	-----------

<b>MX</b>		SERIES
<b>2</b>	(1)	SIZE: 2 = G3/8 - G1/2 - G3/4 3 = G3/4 - G1
<b>-</b>		
<b>3/8</b>	(2)	IN / OUT THREADS: 3/8 = G3/8 1/2 = G1/2 3/4 = G3/4 1 = G1
<b>-</b>		
<b>V01</b>	(3)	MODULE + [ * ] (to configure the modules, see the single components pages): F... = Filter FC... = Coalescing filter FCA... = Activated carbons filter R... = Pressure regulator L... = Lubricator FR... = Filter-Regulator V... = Lockable isolation valve AV... = Soft start valve B... = Take-off block (MX2: G1/2 only - MX3: G1 only)
	[ * ]	The following ACCESSORIES can be added after every single module:  REGULATOR AND FILTER-REGULATOR MX2 +A56 = M053-P06 (Pressure gauge) +A57 = M053-P10 (Pressure gauge) +A58 = M063-P12 (Pressure gauge)  LOCKABLE ISOLATION VALVE MX2 +A30 = 2901 1/2" (Silencier) +A31 = 2921 1/2" (Silencier) +A32 = 2931 1/2" (Silencier) +A33 = 2938 1/2" (Silencier)  SOFT START VALVE +A00 = PM11-NA (Pressure switch, normally open) +A01 = PM11-NC (Pressure switch, normally closed)  TAKE-OFF BLOCK MX2 +A08 = PM11-NA (normally open pressure switch) with fitting for fixing to the module +A09 = PM11-NC (normally closed pressure switch) with fitting for fixing to the module +A03 = PM11-SC with fitting for fixing to the module Example: MX2-3/8-V01+A32XF00-KK-LH
		REGULATOR AND FILTER-REGULATOR MX3 +A60 = M063-P06 (Pressure gauge) +A61 = M063-P12 (Pressure gauge)  LOCKABLE ISOLATION VALVE MX3 +A34 = 2901 3/4" (Silencier) +A35 = 2921 3/4" (Silencier) +A36 = 2931 3/4" (Silencier)  TAKE-OFF BLOCK MX3 +A06 = PM11-NA (normally open pressure switch) with fitting for fixing to the module +A07 = PM11-NC (normally closed pressure switch) with fitting for fixing to the module +A02 = PM11-SC with fitting for fixing to the module Example: MX3-3/4-V01+A36XF00-KK-LH
<b>X</b>	(4)	MODULES CONNECTION (according to the positioning scheme on the following page): X = Rapid clamp kit Z = Rapid clamp kit with wall fixing screw Y = Rapid clamp kit with wall fixing brackets
<b>F00</b>	(5) + [ * ]	see MODULE (3)
<b>-</b>		
<b>KK</b>	(6)	TERMINAL CONNECTIONS + [ ** ] (according to the positioning scheme on the following page): = no terminal connection HH = n° 1 rapid clamp kit with flanges (IN / OUT) JJ = n° 1 rapid clamp kit with wall fixing screws + flanges (IN / OUT) KK = n° 1 rapid clamp kit with wall fixing brackets + flanges (IN / OUT)
	[ ** ]	WALL CONNECTION: REGULATOR and FILTER-REGULATOR S = Bracket (only with clamps mod. X o HH) Codes examples: MX3-1-R..XV..-S; MX3-1-R..XV..-HSH
<b>-</b>		
<b>LH</b>	(7)	FLOW DIRECTION: = from left to right (standard) LH = from right to left
	(4) + (5) + [ * ]	REPEATABLE COMBINATION for a "n" number of times

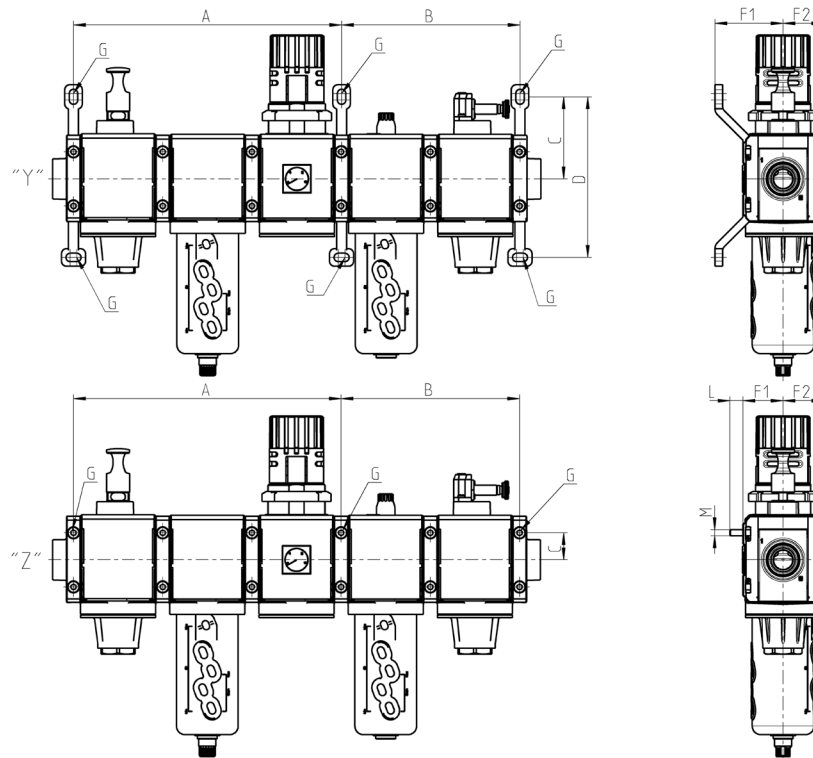
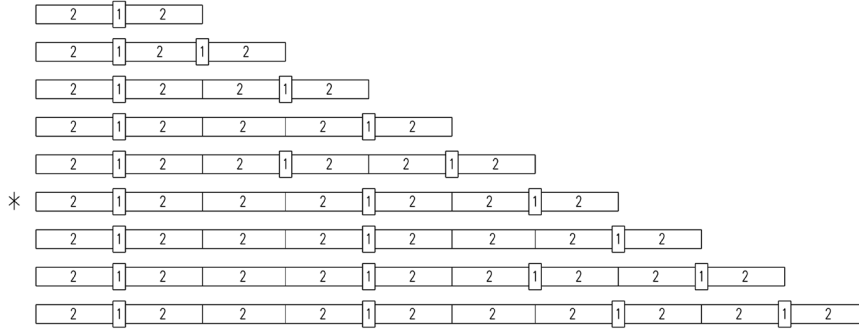
SERIES MX ASSEMBLED FRL

## Wall fixing - mounting dimensions and positioning scheme

Legend of the POSITIONING SCHEME:  
 1 = rapid clamp with wall fixing screw  
 or with wall fixing bracket  
 2 = module / flange

\* POSITIONING SCHEME referring to drawings "Y" and "Z".

Legend of the ASSEMBLED GROUPS DRAWINGS:  
 "Y" = with rapid clamps with wall fixing brackets (MX...-Y)  
 "Z" = with rapid clamp with wall fixing screws (MX...-Z)  
 G = fixing point



Mod.	A	B	C	D	F1	F2	L	M
MX2-Y	210	140	68,5	134,5	70	37	-	-
MX2-Z	210	140	23	-	37,5	37	13,5	M5
MX3-Y	267	178	82	160	68	40,5	-	-
MX3-Z	267	178	27	-	40,5	40,5	13	M6

**CODING EXAMPLE**

<b>MX</b>	<b>2</b>	<b>-</b>	<b>3/8</b>	<b>-</b>	<b>0...1</b>
-----------	----------	----------	------------	----------	--------------

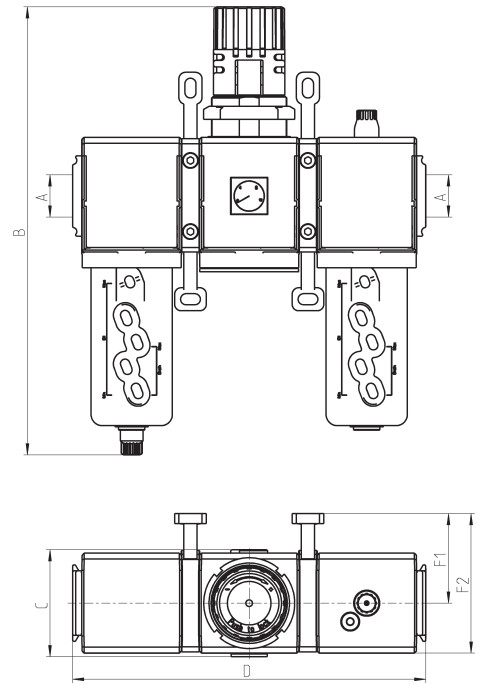
<b>MX</b>	SERIES
<b>2</b>	<p>SIZE: 2 = G3/8 - G1/2 - G3/4 3 = G3/4 - G1</p>
<b>3/8</b>	<p>PORTS: 3/8 = G3/8 1/2 = G1/2 3/4 = G3/4 1 = G1</p>
<b>000001</b>	<p>GROUP COMPOSITION: 000001 = F10 + R004 + L00 000002 = FR1004 + L00 000003 = V01 + FR1004 + L00 000004 = V01 + FR1004 000005 = FR1004 + V16 + AV 000006 = FR1004 + L00 + V16 + AV 000007 = V01 + FR1004 + V16 + AV 000008 = V01 + FR1004 + L00 + V16 + AV + PRESS. NO 000009 = V01 + FR1004 + L00 + V16 + AV + PRESS. NC 000010 = V01 + FR1004 + V16 + AV + PRESS. NO 000011 = V01 + FR1004 + V16 + AV + PRESS. NC 000012 = F13 + FC03</p>
	<p><b>WARNING:</b></p> <p>IN THE PRESENCE OF METAL PIPES, THE USE OF CONNECTION FLANGES MAKE THE MAINTENANCE ACTIVITIES EASIER. INITIALLY PROCEED BY ASSEMBLING THE PIPES ON THE FLANGES, THEN FIX THE TREATMENT UNIT TO THE WALL THROUGH THE PROPER FIXING BRACKETS.</p>

SERIES MX ASSEMBLED FRL

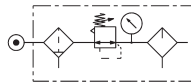
### Composition of the assembled group 000001



Components:  
Filter  
Regulator  
Lubricator



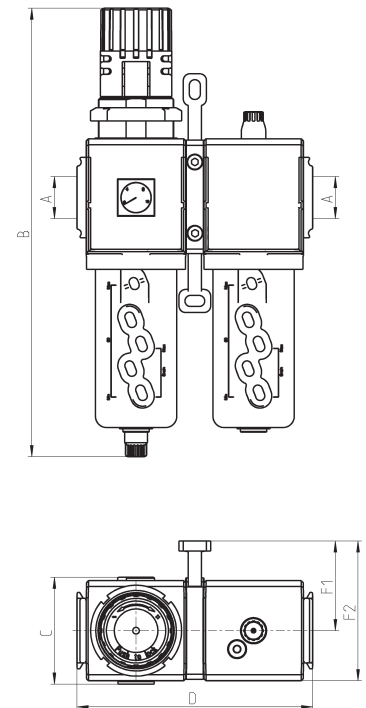
Mod.	A	B	C	D	F1	F2
MX2-3/8-000001	G3/8	289	74,5	210	70	104,5
MX2-1/2-000001	G1/2	289	74,5	210	70	104,5
MX2-3/4-000001	G3/4	289	74,5	210	70	104,5
MX3-3/4-000001	G3/4	345	81	268,5	68	106
MX3-1-000001	G1	345	81	268,5	68	106



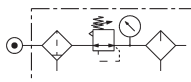
### Composition of the assembled group 000002



Components:  
Filter-regulator  
Lubricator



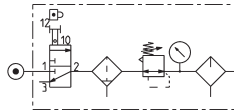
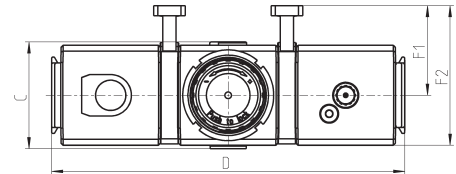
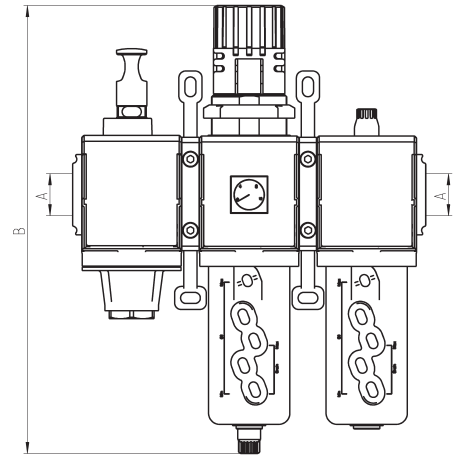
Mod.	A	B	C	D	F1	F2
MX2-3/8-000002	G3/8	289	74,5	140	70	104,5
MX2-1/2-000002	G1/2	289	74,5	140	70	104,5
MX2-3/4-000002	G3/4	289	74,5	140	70	104,5
MX3-3/4-000002	G3/4	345	81	179	68	106
MX3-1-000002	G1	345	81	179	68	106



### Composition of the assembled group 000003



Components:  
Lockable isolation 3/2-way valve  
Filter-regulator  
Lubricator

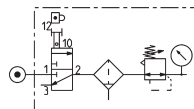
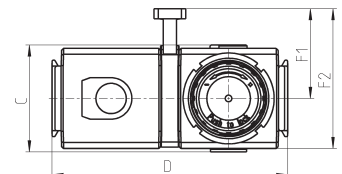
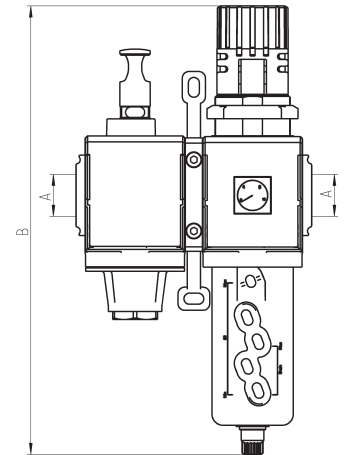


Mod.	A	B	C	D	F1	F2
MX2-3/8-000003	G3/8	289	74,5	210	70	104,5
MX2-1/2-000003	G1/2	289	74,5	210	70	104,5
MX2-3/4-000003	G3/4	289	74,5	210	70	104,5
MX3-3/4-000003	G3/4	345	81	268,5	68	106
MX3-1-000003	G1	345	81	268,5	68	106

### Composition of the assembled group 000004



Components:  
Lockable isolation 3/2-way valve  
Filter-regulator

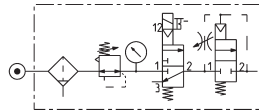
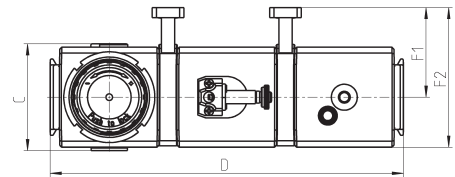
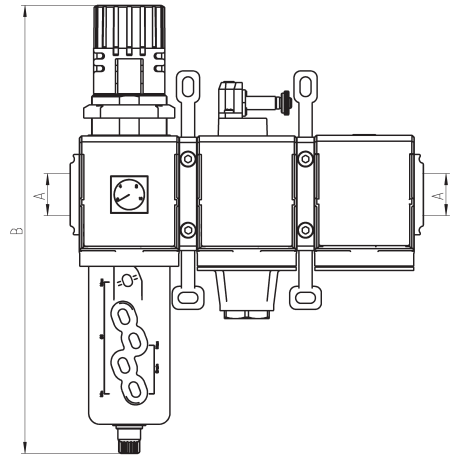


Mod.	A	B	C	D	F1	F2
MX2-3/8-000004	G3/8	289	74,5	140	70	104,5
MX2-1/2-000004	G1/2	289	74,5	140	70	104,5
MX2-3/4-000004	G3/4	289	74,5	140	70	104,5
MX3-3/4-000004	G3/4	345	81	179	68	106
MX3-1-000004	G1	345	81	179	68	106

### Composition of the assembled group 000005



Components:  
 Filter-regulator  
 Lockable isolation 3/2-way valve  
 Soft start valve

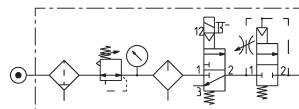
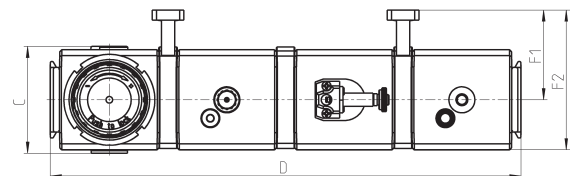
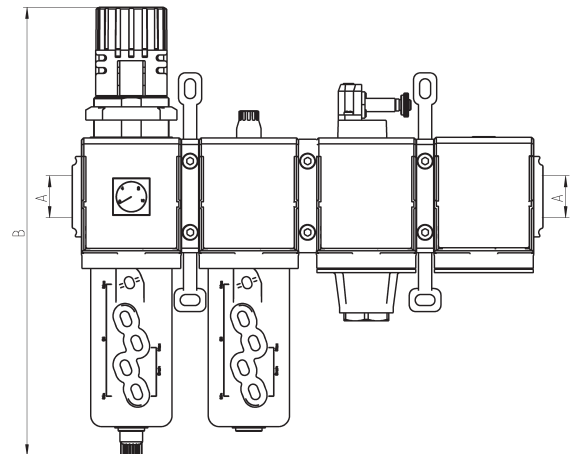


Mod.	A	B	C	D	F1	F2
MX2-3/8-000005	G3/8	289	74,5	210	70	104,5
MX2-1/2-000005	G1/2	289	74,5	210	70	104,5
MX2-3/4-000005	G3/4	289	74,5	210	70	104,5
MX3-3/4-000005	G3/4	345	81	268,5	68	106
MX3-1-000005	G1	345	81	268,5	68	106

### Composition of the assembled group 000006



Components:  
 Filter-regulator  
 Lubricator  
 Lockable isolation 3/2-way valve  
 Soft start valve



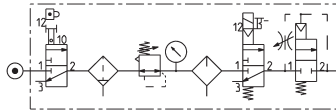
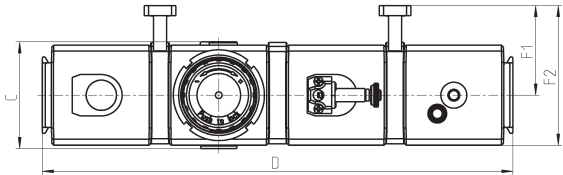
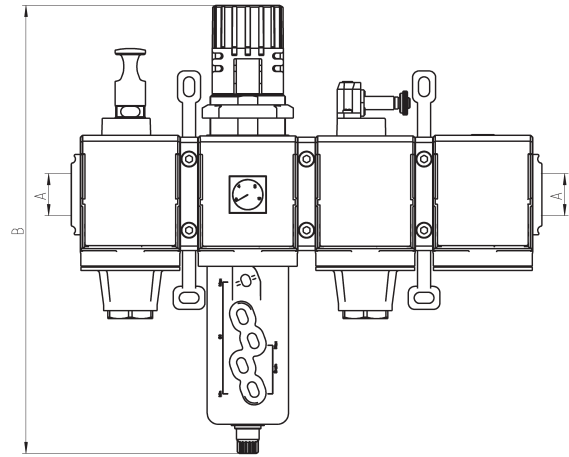
Mod.	A	B	C	D	F1	F2
MX2-3/8-000006	G3/8	289	74,5	280	70	104,5
MX2-1/2-000006	G1/2	289	74,5	280	70	104,5
MX2-3/4-000006	G3/4	289	74,5	280	70	104,5
MX3-3/4-000006	G3/4	345	81	358	68	106
MX3-1-000006	G1	345	81	358	68	106



**Composition of the assembled group 000007**



- Components:  
 Lockable isolation 3/2-way valve  
 Filter-regulator  
 Lockable isolation 3/2-way valve  
 Soft start valve

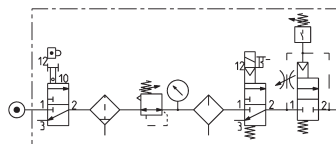
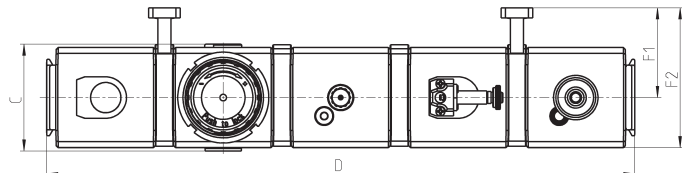
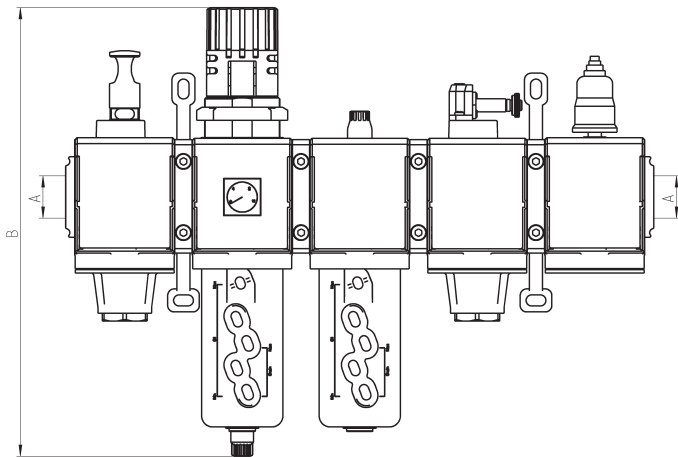


Mod.	A	B	C	D	F1	F2
MX2-3/8-000007	G3/8	289	74,5	280	70	104,5
MX2-1/2-000007	G1/2	289	74,5	280	70	104,5
MX2-3/4-000007	G3/4	289	74,5	280	70	104,5
MX3-3/4-000007	G3/4	345	81	358	68	106
MX3-1-000007	G1	345	81	358	68	106

**Composition of the assembled group 000008**



- Components:  
 Lockable isolation 3/2-way valve  
 Filter-regulator  
 Lubricator  
 Lockable isolation 3/2-way valve  
 Soft start valve + pressure switch (NO)

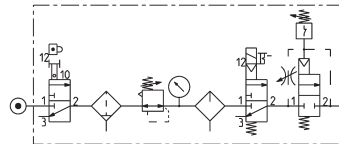
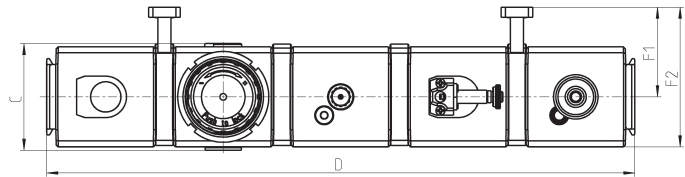
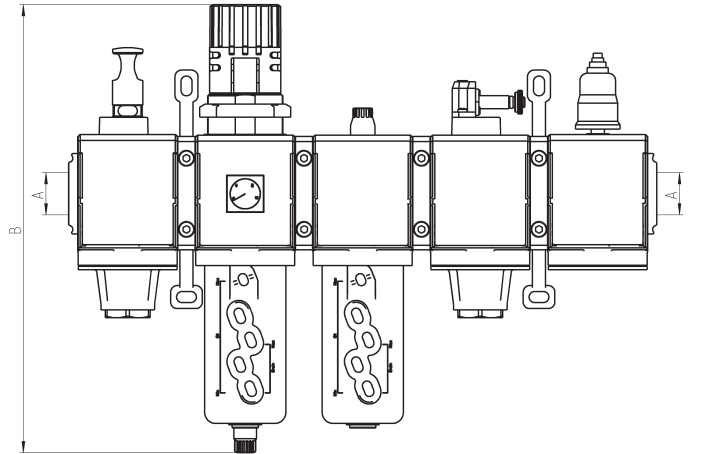


Mod.	A	B	C	D	F1	F2
MX2-3/8-000008	G3/8	289	74,5	350	70	104,5
MX2-1/2-000008	G1/2	289	74,5	350	70	104,5
MX2-3/4-000008	G3/4	289	74,5	350	70	104,5
MX3-3/4-000008	G3/4	345	81	447,5	68	106
MX3-1-000008	G1	345	81	447,5	68	106

**Composition of the assembled group 000009**



- Components:  
 Lockable isolation 3/2-way valve  
 Filter-regulator  
 Lubricator  
 Lockable isolation 3/2-way valve  
 Soft start valve + pressure switch (NC)

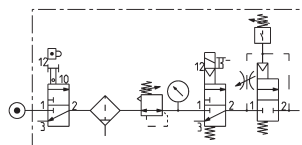
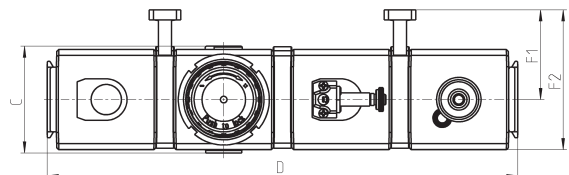
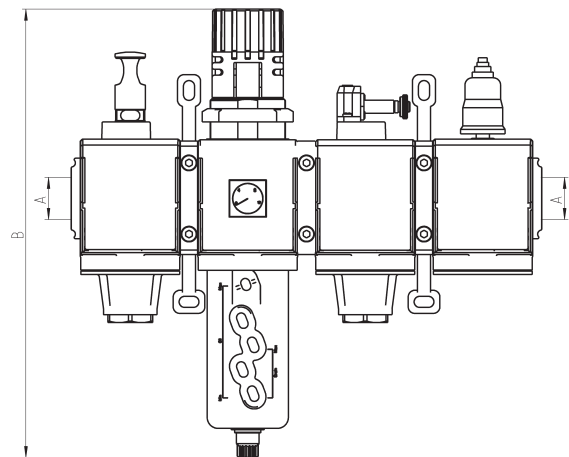


Mod.	A	B	C	D	F1	F2
MX2-3/8-000009	G3/8	289	74,5	350	70	104,5
MX2-1/2-000009	G1/2	289	74,5	350	70	104,5
MX2-3/4-000009	G3/4	289	74,5	350	70	104,5
MX3-3/4-000009	G3/4	345	81	447,5	68	106
MX3-1-000009	G1	345	81	447,5	68	106

**Composition of the assembled group 000010**



- Components:  
 Lockable isolation 3/2-way valve  
 Filter-regulator  
 Lockable isolation 3/2-way valve  
 Soft start valve + pressure switch (NO)

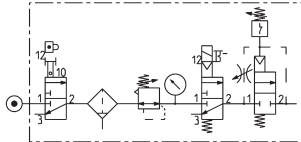
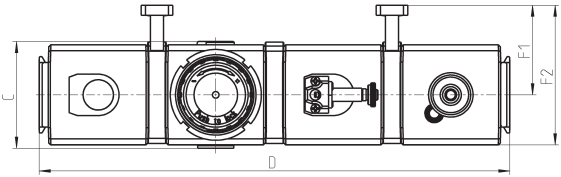
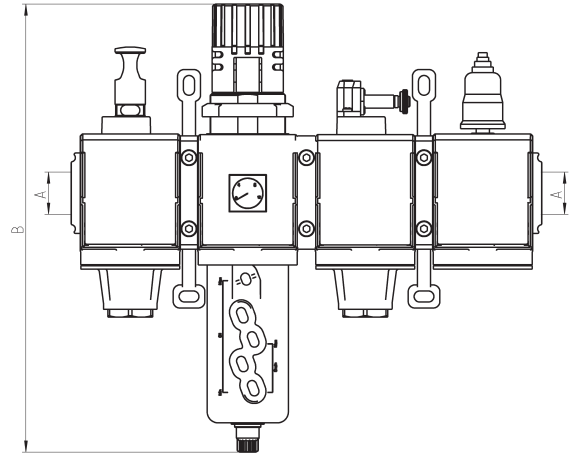


Mod.	A	B	C	D	F1	F2
MX2-3/8-000010	G3/8	289	74,5	280	70	104,5
MX2-1/2-000010	G1/2	289	74,5	280	70	104,5
MX2-3/4-000010	G3/4	289	74,5	280	70	104,5
MX3-3/4-000010	G3/4	345	81	358	68	106
MX3-1-000010	G1	345	81	358	68	106

**Composition of the assembled group 000011**



- Components:
- Lockable isolation 3/2-way valve
- Filter-regulator
- Lockable isolation 3/2-way valve
- Soft start valve + pressure switch (NC)

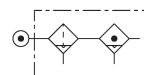
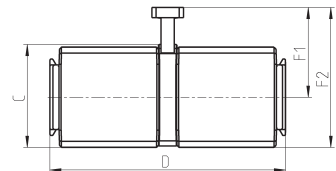
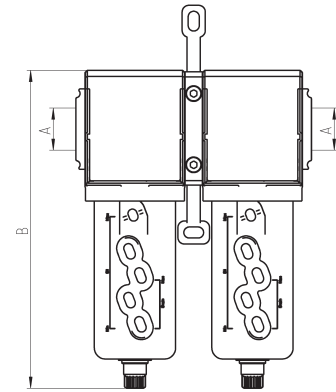


Mod.	A	B	C	D	F1	F2
MX2-3/8-000011	G3/8	289	74,5	280	70	104,5
MX2-1/2-000011	G1/2	289	74,5	280	70	104,5
MX2-3/4-000011	G3/4	289	74,5	280	70	104,5
MX3-3/4-000011	G3/4	345	81	358	68	106
MX3-1-000011	G1	345	81	358	68	106

**Composition of the assembled group 000012**



- Components:
- Filter
- Coalescing filter



Mod.	A	B	C	D	F1	F2
MX2-3/8-000012	G3/8	210	72	140	70	104,5
MX2-1/2-000012	G1/2	210	72	140	70	104,5
MX2-3/4-000012	G3/4	210	72	140	70	104,5
MX3-3/4-000012	G3/4	231	78	179	68	106
MX3-1-000012	G1	231	78	179	68	106